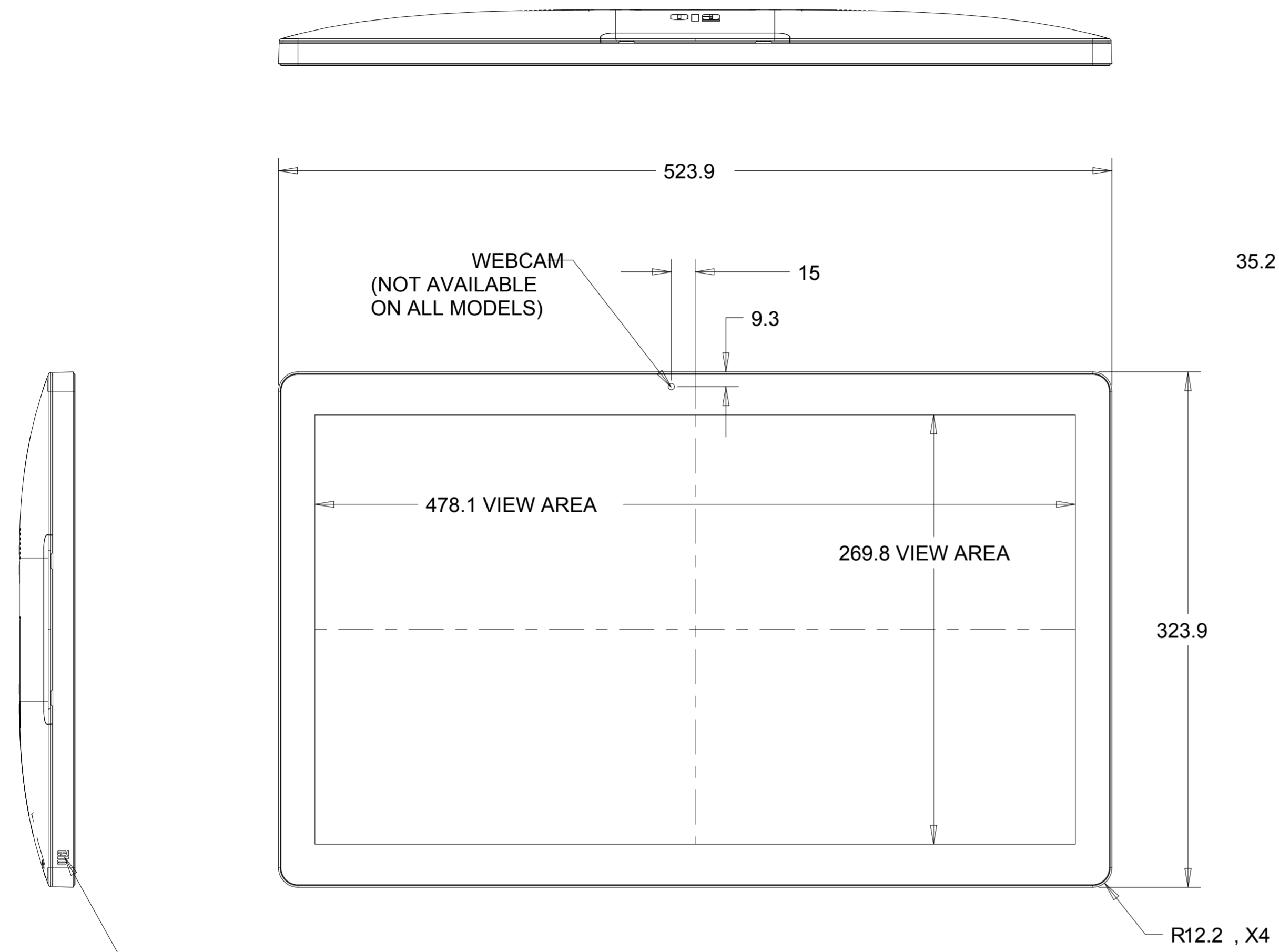
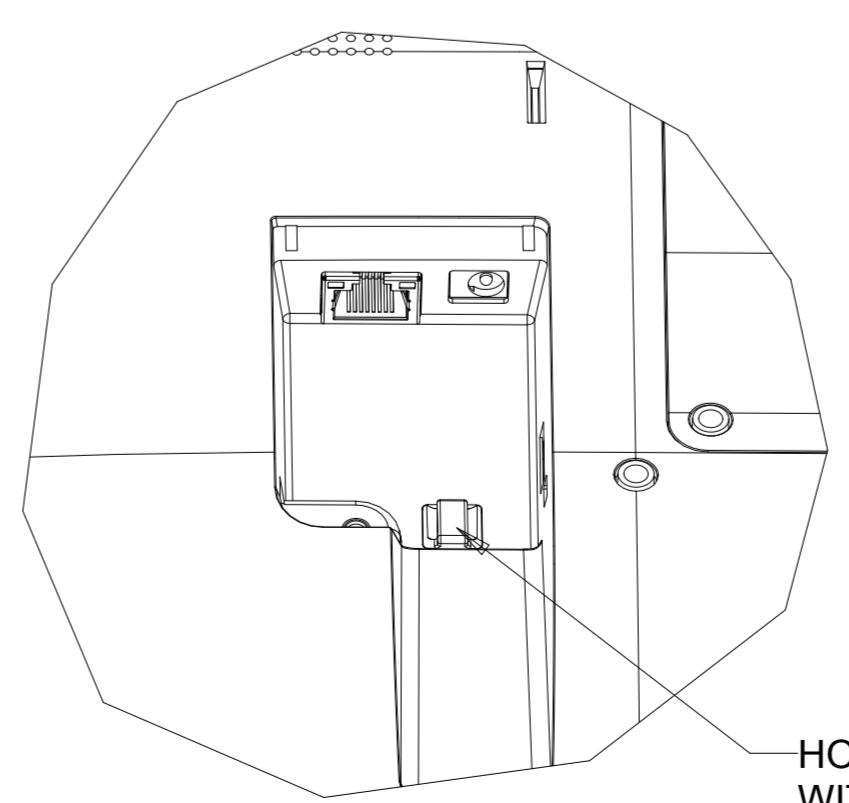
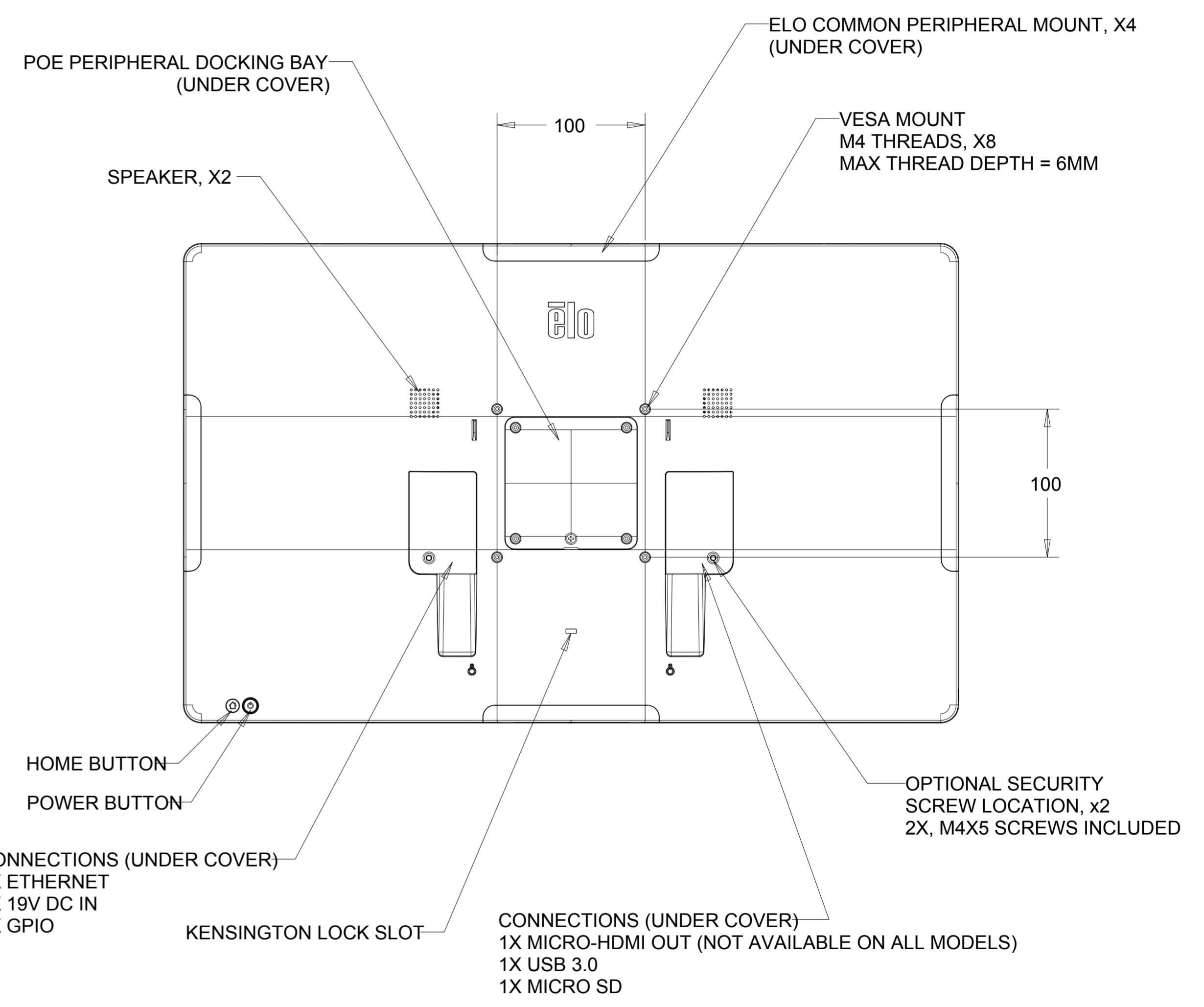
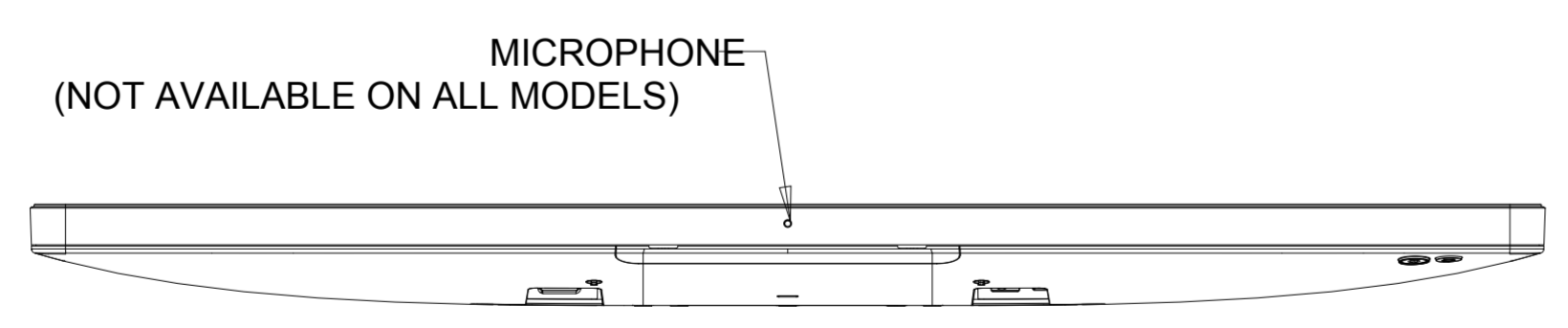


DIMENSIONAL DRAWING: 22in AAI02



ELO LOGO

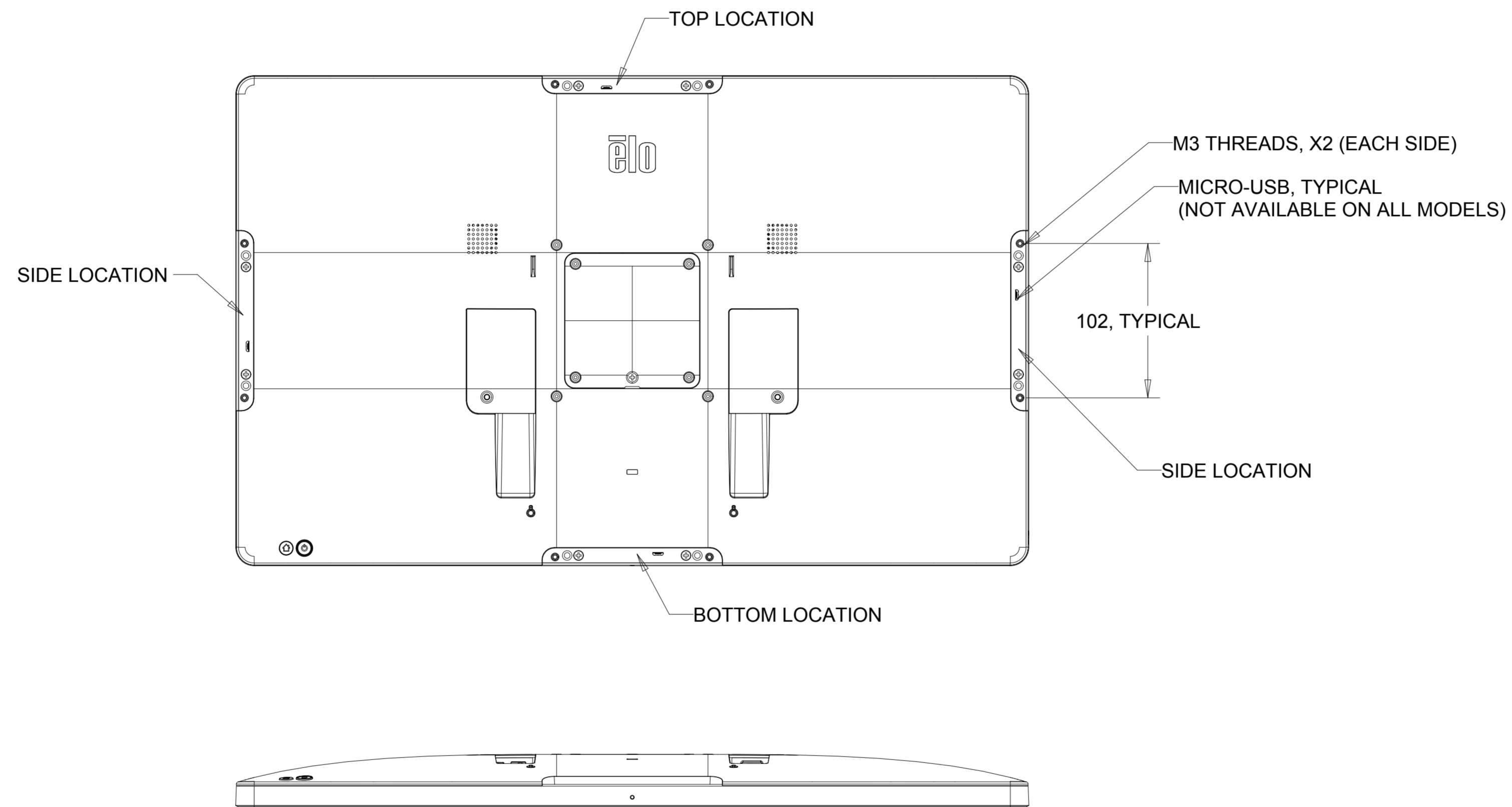


DIMENSIONS ARE IN MILLIMETERS

**elo**

MS601905  
DATE: 12/04/2017  
REV: A

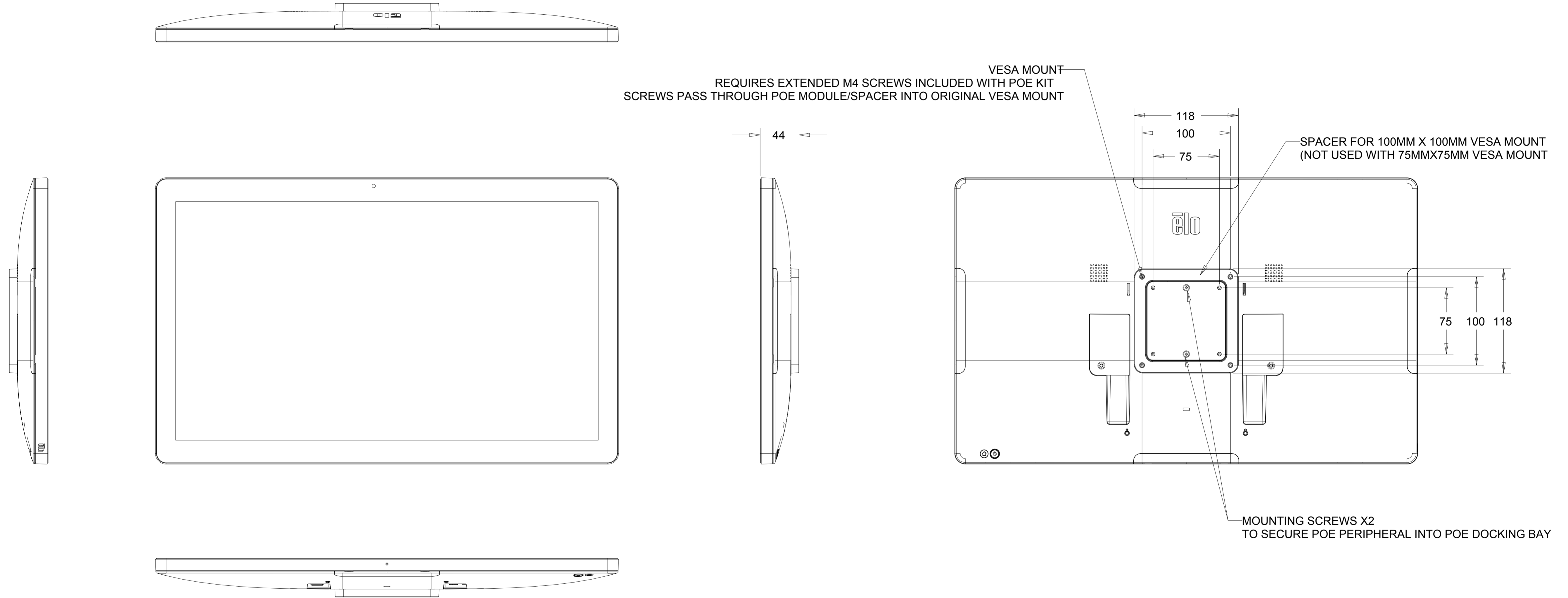
ELO PERIPHERAL MOUNTING INTERFACE (1 PER SIDE)  
(SEE WEBSITE FOR DIMENSIONAL DRAWINGS OF COMPATIBLE PERIPHERALS)



DIMENSIONAL DRAWING: 22in AAI02

POWER OVER ETHERNET (POE) ADAPTER KIT P/N: E615169  
(OPTIONAL KIT, PURCHASED SEPARATELY)  
POE COVER REMOVED AND POE PERIPHERAL INSTALLED

NOT COMPATIBLE WITH LOW-PROFILE WALLMOUNT (PAGE 4) P/N: E802400



DIMENSIONS ARE IN MILLIMETERS



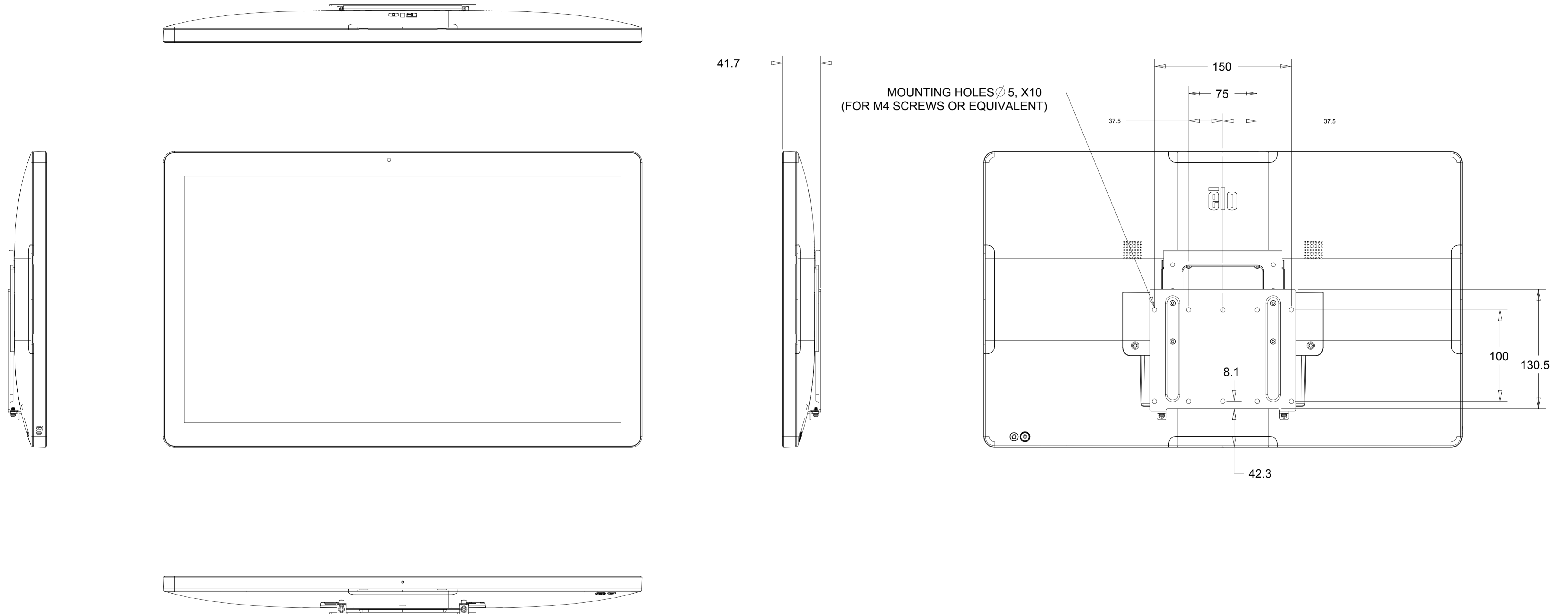
MS601905

DATE: 12/04/2017

REV: A

DIMENSIONAL DRAWING: 22in AAI02

LOW-PROFILE WALLMOUNT KIT P/N: E802400  
(OPTIONAL KIT, PURCHASED SEPARATELY)  
NOT COMPATIBLE WITH POE ADAPTER KIT (PAGE 3) P/N: E615619



DIMENSIONS ARE IN MILLIMETERS

**elo**

MS601905

DATE: 12/04/2017

REV: A